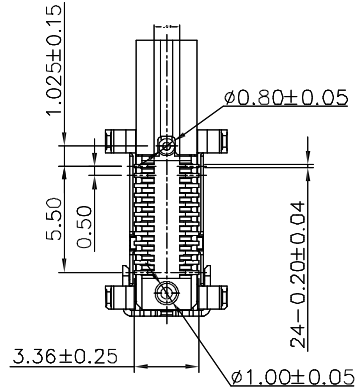
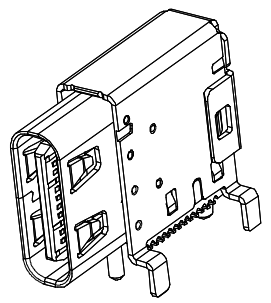
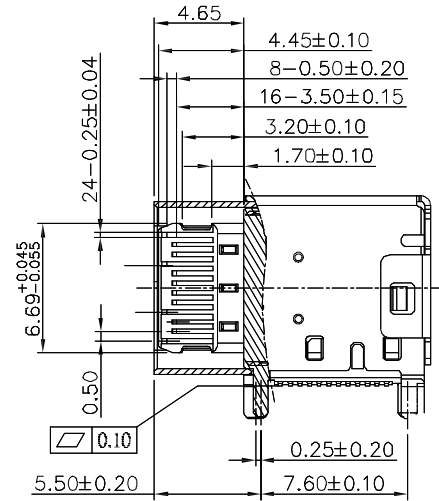
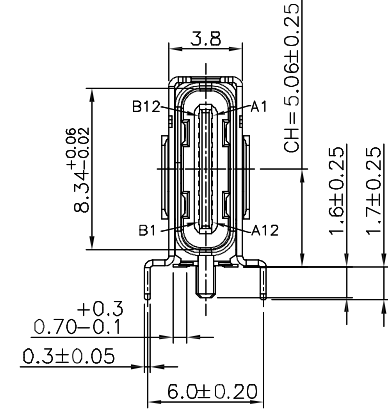
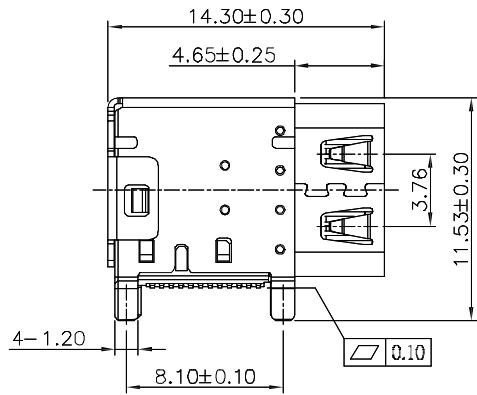
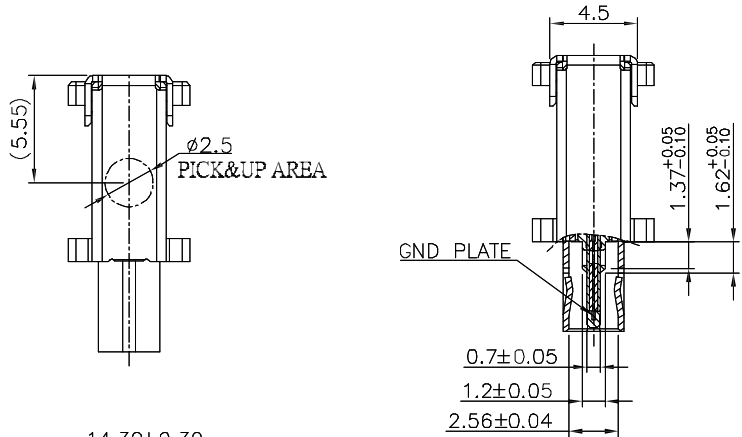


* RoHS COMPLIANT *

* REVISIONS

LTR	DESCRIPTION	DATE	REVISED	APPROVED



MATERIALS

1. HOUSING : LCP (UL 94V-0), BLACK.
2. TERMINAL : COPPER ALLOY, GOLD PLATED ON CONTACT AREA, GOLD FLASH PLATING ON SOLDER TAIL, NICKEL UNDERPLATED OVER ALL.
3. MID PLATE : STAINLESS STEEL.
4. SHELL : STAINLESS STEEL, NICKEL PLATING.

SPECIFICATION

1. CURRENT RATING : 5.0A FOR Vbus PIN, 1.25A FOR Vconn PIN, 0.25A FOR OTHER PINS.
2. VOLTAGE RATING : 20V DC MAX.
3. CONTACT RESISTANCE : 40mΩ.
4. INSULATION RESISTANCE : 100MΩ MIN.
5. DIELECTRIC WITHSTANDING VOLTAGE : 100 VAC MIN.
6. OPERATING TEMPERATURE : -40°C TO +85°C.
7. MATING FORCE : 5~20N.
8. UNMATING FORCE : 8~20N.
9. DURABILITY : 10,000 CYCLES.
10. RECOMMENDED PROCESS : THE PEAK TEMPERATURE ON THE BOARD SHALL MAINTAIN 260°C.

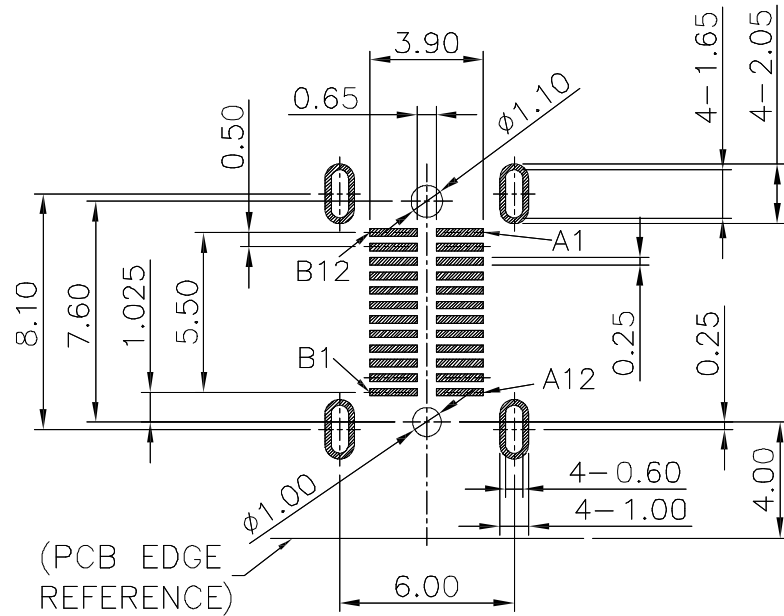
UNLESS OTHERWISE SPECIFIED, TOLERANCE ON DECIMAL: ±0.3

DWN	LILY	DATE	2022.01.03	3RD ANGLE PROJECTION	NAME	USB C TYPE 母座24PIN側插
CHKD	ANDY	DATE	2022.01.03		CAT. NO.	JCU-JDR-USCF075-S008
APVD	JON	DATE	2022.01.03	UNIT: mm	DWN.NO.	KQ-JDR-USCF075-S008
JKCR Electronics Co., Ltd.						001

* RoHS COMPLIANT *

* REVISIONS

LTR	DESCRIPTION	DATE	REVISED	APPROVED



RECOMMENDED P.C.B LAYOUT
TOLERANCE ± 0.05mm (TOP VIEW)

PIN ASSIGNMENT:

PIN	Signal Name	PIN	Signal Name
A1	GND	B12	GND
A2	SSTXp1	B11	SSRXp1
A3	SSTXn1	B10	SSRXn1
A4	Vbus	B9	Vbus
A5	CC1	B8	SBU2
A6	Dp1	B7	DN2
A7	Dn1	B6	DP2
A8	SBU1	B5	CC2
A9	Vbus	B4	Vbus
A10	SSRXn2	B3	SSTXn2
A11	SSRXp2	B2	SSTXp2
A12	GND	B1	GND

UNLESS OTHERWISE SPECIFIED, TOLERANCE ON DECIMAL: ±0.3

DWN	LILY	DATE	2022.01.03	3RD ANGLE PROJECTION	NAME	USB C TYPE 母座24PIN側插
CHKD	ANDY	DATE	2022.01.03		CAT. NO.	JCU-JDR-USCF075-S008
APVD	JON	DATE	2022.01.03	UNIT: mm	DWN.NO.	KQ-JDR-USCF075-S008
JKCR Electronics Co., Ltd.						001